

## C12-55XDA (12V / 55Ah)



Century AGM Deep Cycle Batteries are the ultimate in deep cycle battery performance, designed to provide longer life and dependable deep cycling capability in the harshest of operating conditions and environments.

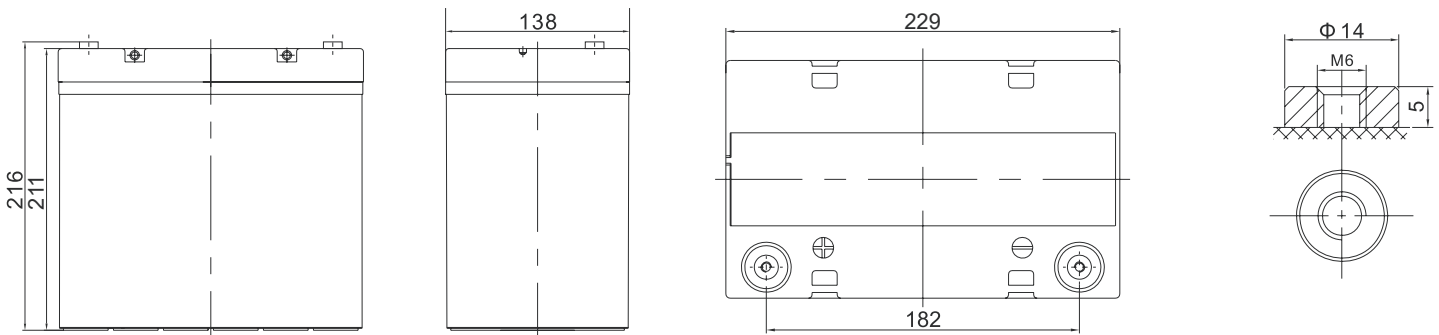
The Century Deep Cycle AGM range utilises Absorbed Glass Mat (AGM) technology which absorbs the liquid electrolyte within highly porous glass fibre mat separators. This eliminates loose electrolyte whilst the sealed maintenance free design prevents acid leaks and the need for on-going maintenance. Extra strong grid designs, superior active paste material and robust internal components ensure lower self discharge, superior vibration resistance, longer cycle life and improved recharge capabilities.

Century Deep Cycle AGM batteries are ideal for use in applications where fast recharge, and superior deep cycle capabilities are required, such as recreational vehicles and accessories, dual battery systems, golf carts, electric wheel chairs, mobility scooters and marine systems.

### Product Specification

<b>Cells</b>	6	<b>Weight</b>	Approx. 18.0 kg (±3.0%)
<b>Voltage</b>	12V	<b>Max. Discharge Current</b>	550 A (5 sec)
<b>Capacity</b>	55Ah@20hr-rate to 1.75V per cell @ 25°C	<b>Internal Resistance</b>	Approx. 6mΩ
<b>Operating Temperature Range</b>	Discharge: -20°C~60°C Charge: 0°C~50°C Storage: -20°C~60°C	<b>Terminal</b>	M6 Insert
		<b>Container Material</b>	A.B.S. (UL94-HB)
<b>Normal Operating Temperature Range</b>	25°C ± 5°C	<b>Max. Charging Current Limit</b>	16.5A
<b>Float Charging Voltage</b>	13.6 to 13.8 VDC/unit Average at 25°C Temperature Compensation: -3mV/°C/Cell	<b>Equalisation &amp; Cycle Service</b>	14.6 to 14.8VDC/unit Average at 25°C Temperature Compensation: -4mV/°C/Cell
<b>Self Discharge</b>	Century AGM batteries can be stored for up to 6 months at 25°C, after which recharging is recommended. Self-discharge rate less than 3% per month at 25°C. Please charge batteries before using and prior to long term storage.	<b>Note: Warranty void if mounted under bonnet</b>	

**Unit: mm Dimension: 229 (L) x 138 (W) x 211 (H) x 216 (TH) (±2.0mm)**



#### Discharge Current VS Discharge Voltage

Final Discharge Voltage V/Cell	1.75V	1.70V	1.60V
Discharge Current	(A) ≤ 0.2C	0.2C < (A) < 1.0C	(A) ≥ 1.0C

**If stored at 25°C, charge batteries at least once every six months**

#### Charging Method

Constant Voltage -0.2Cx2h+2.4~2.45V/Cellx24h, Max.Current 0.3CA



Batteries that last and last

# Deep Cycle AGM Batteries

(VRLA Technology)

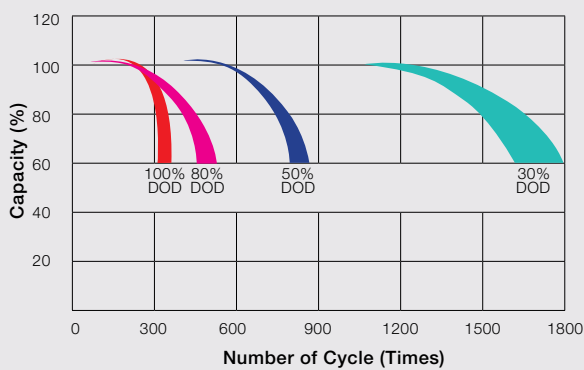
## C12-55XDA (12V / 55Ah)

### Constant Current Discharge Characteristics: A (25°C)

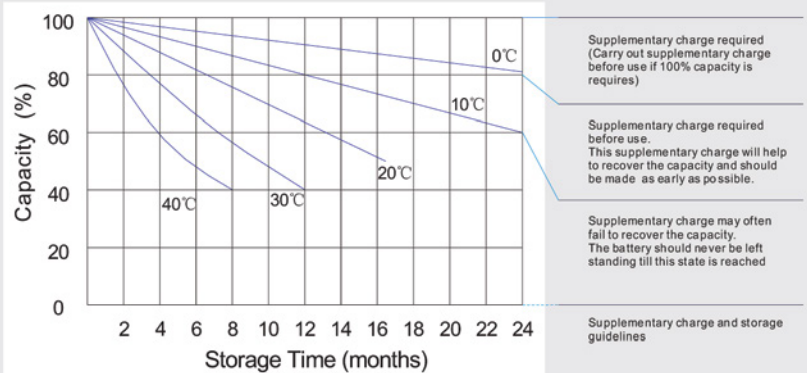
F.V/Time	5MIN	10MIN	15MIN	30MIN	1HR	2HR	3HR	4HR	5HR	8HR	10HR	20HR
10.5V	156.1	115.1	90.73	57.71	33.53	19.01	13.57	11.19	8.765	6.399	5.386	2.773

All mentioned values are average values.

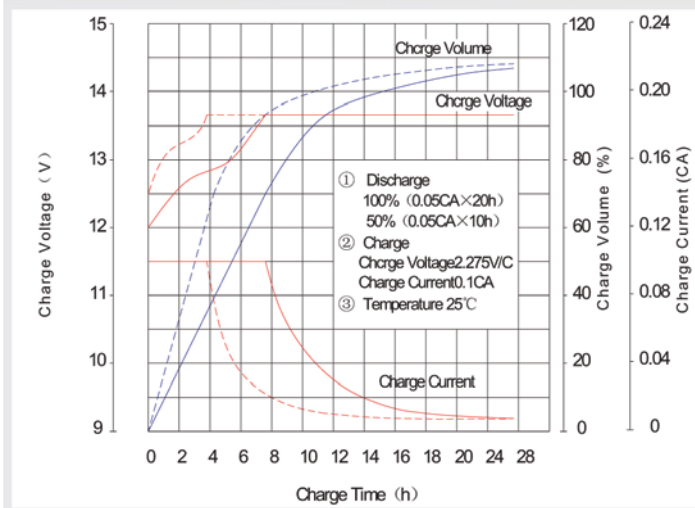
### Life characteristics of cyclic use



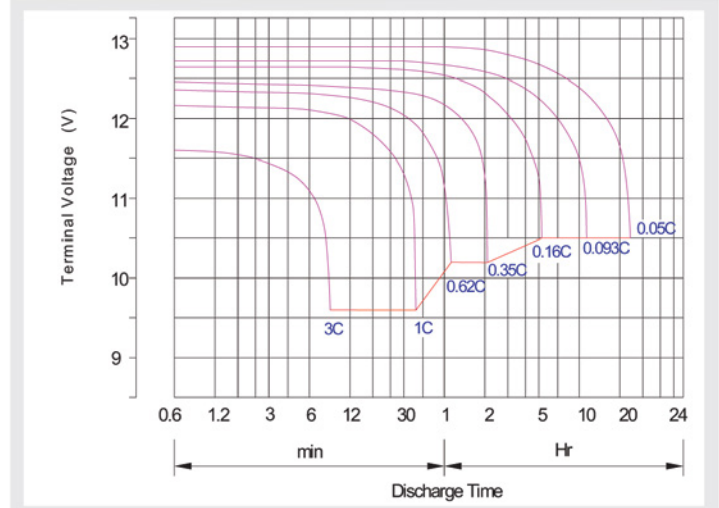
### Storage characteristic



### Charge characteristic curve for cyclic use



### Discharge characteristic Curve



## BATTERY DISPOSAL

This battery is 98% recyclable. Help create a cleaner planet, return your used battery to the original place of purchase or your nearest Century Yuasa approved Battery Recycling Centre.



Batteries that last and last

For more information visit  
[centurybatteries.com.au](http://centurybatteries.com.au) or call 13 22 87  
[centurybatteries.co.nz](http://centurybatteries.co.nz) or call 0800 93 93 93