



Deep Cycle Industrial Batteries

Batteries that last and last


C105



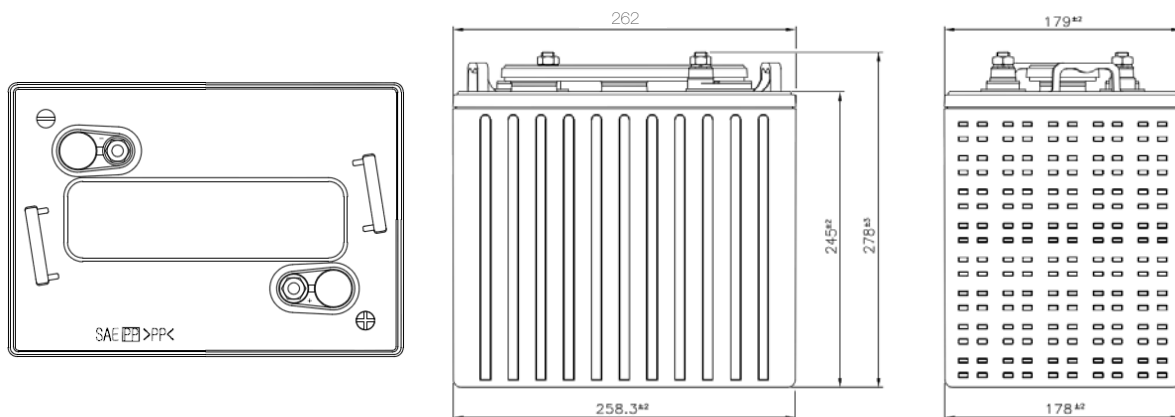
Century Deep Cycle Industrial batteries have the strength and durability needed to provide tough, ultimate, long lasting power in recreational and industrial applications. The flooded lead-acid range features thicker, heavier battery plates, heavy duty internal connections and high density paste to provide superior current flow & exceptional vibration resistance.

Application	Golf carts, floor sweepers / scrubbers, scissor lifts, work platforms, marine & multi-purpose (<i>Wherever Deep Cycle 6-volt batteries are needed</i>)
Dimensions	264L x 181W x 245H/276TH
Type	Flooded Lead Acid (FLA) non-sealed
Case Material	Polypropylene / Heat Sealed

Product Specifications

BCI Group Size	Model	HR Rate		Voltage	AMP Hours (20hr rate)	MINS @ 75 AMPS	MINS @ 25 AMPS	L	W	H	Total Height	Wet Weight (KG)	Standard Terminal Type
		5	20										
GC2	C105	185	225	6	225	115	447	264	181	245	276	28.6	

Dimensions



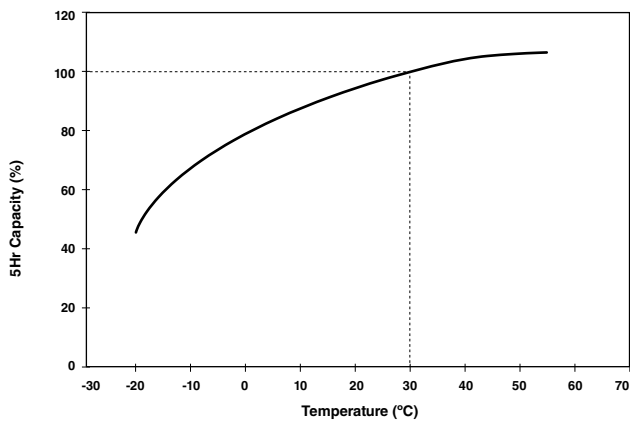
Charging Instructions:

- Bulk Charge** Constant current charge at 22.5~29.3 amperes until the battery voltage measures between 7.14~7.29 V/battery (25°C) on charge voltage.
- Absorption Charge** Constant voltage charge at 7.14~7.29 V/battery (25°C) until the current measures between 2.25~6.75 amperes.
- Equalization Charge** Constant current charge at 2.25~6.75 amperes until the battery voltage measures between 7.5~8.1 V/battery (25°C) extended for 1-3 hours after normal charge cycle (repeat every 30 days).

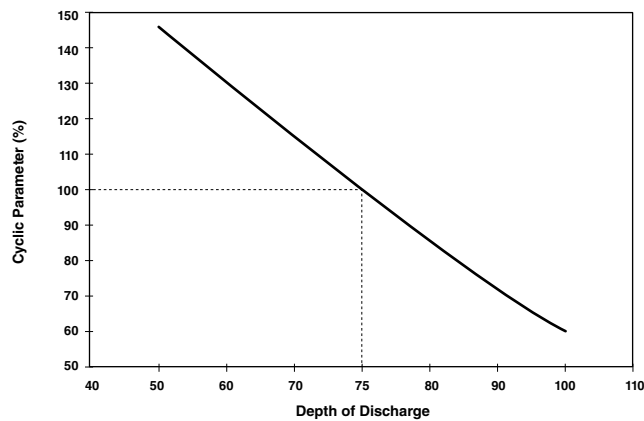
* END OF CHARGE at 110~120% of AH returned.

* Note: Charging condition (Voltage, Current, Time) will vary depending on battery size, charger (Charging Type, output) depth of discharge and temperature.

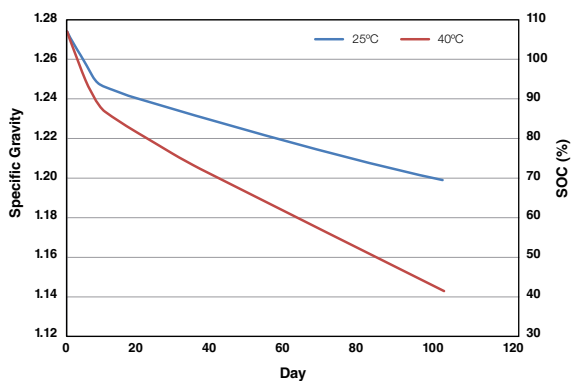
Capacity VS Temperature



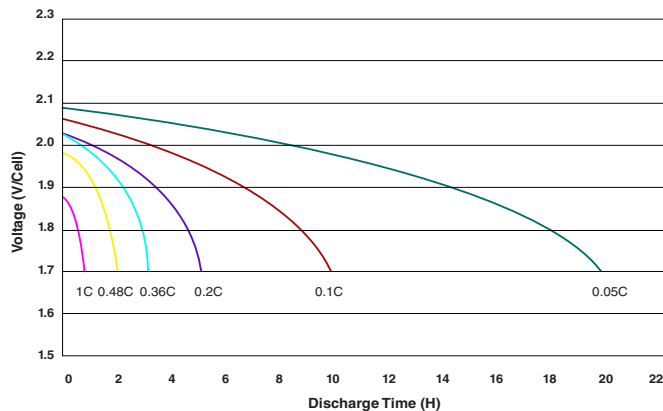
Life Characteristics Of Cyclic Use



Self Discharge



Discharge Characteristic Curve



Operating Temperature Guidelines

For charging, we recommend staying within 0 to 50°C to avoid charging frozen batteries at low temperature or going into thermal runaway at high temperature.

For discharging, we recommend -18 to 50°C. Batteries discharged at temperatures below 0°C must be recharged immediately to avoid freezing.

Batteries discharged at temperatures above 49°C must be allowed to cool before recharging.

Extreme temperatures can substantially affect battery performance and charging. Cold reduces battery capacity and hinders charging. Heat increases water usage and can result in overcharging. Very high temperatures can cause “thermal run-away” which may lead to an explosion or fire. If extreme temperature is an unavoidable part of an application, consult a battery/charger specialist about ways to deal with the problem.

Data references within this publication are nominal and should not be considered or construed as maximum or minimum values for specifications or for final design. Data for this product type and model may vary from what is shown in this publication.

Century Industrial Deep Cycle batteries are dedicated Deep Cycle batteries and should not be used for cranking applications.



Battery Disposal

This battery is 98% recyclable. Help create a cleaner planet, return your used battery to the original place of purchase or your nearest CenturyYuasa approved Battery Recycling Centre.