



Batteries that last and last

Deep Cycle AGM Batteries

C12-140DA (12V140Ah)



Century AGM Deep Cycle Batteries are the ultimate in deep cycle battery performance, designed to provide longer life and dependable deep cycling capability in the harshest of operating conditions and environments.

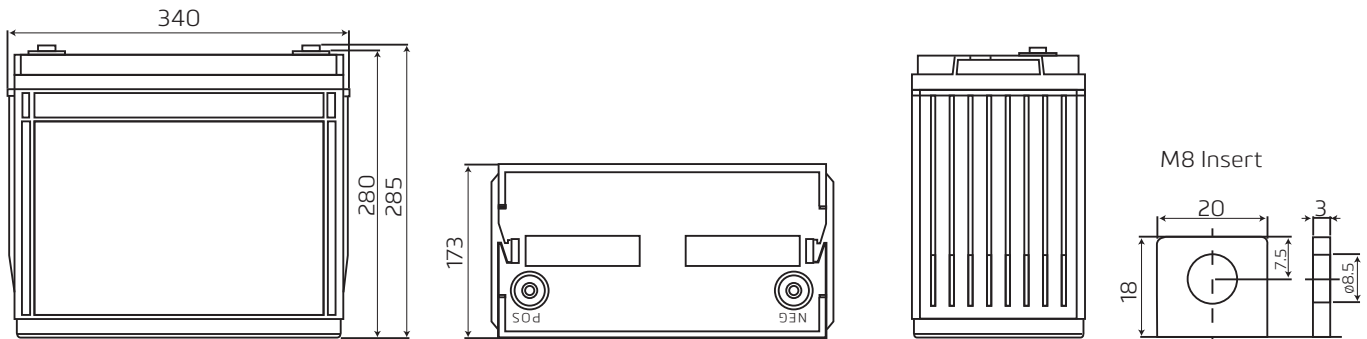
The Century Deep Cycle AGM range utilises Absorbed Glass Mat (AGM) technology which absorbs the liquid electrolyte within highly porous glass fibre mat separators. This eliminates loose electrolyte whilst the sealed maintenance free design prevents acid leaks and the need for on-going maintenance. Extra strong grid designs, superior active paste material and robust internal components ensure lower self discharge, superior vibration resistance, longer cycle life and improved recharge capabilities.

Century Deep Cycle AGM batteries are ideal for use in applications where fast recharge, and superior deep cycle capabilities are required, such as recreational vehicles and accessories, dual battery systems, golf carts, electric wheel chairs, mobility scooters and marine systems.

Product Specification

Cells	6	Weight	Approx. 41.5 kg
Voltage	12	Max. Discharge Current	1400 A (5 sec)
Capacity	140Ah@20hr-rate to 1.75V per cell @ 25°C	Internal Resistance	Approx. 4mΩ
Operating Temperature Range	Discharge: -20°C-60°C Charge: 0°C-50°C Storage: -20°C-60°C	Terminal	M8 Insert
		Container Material	A.B.S. (UL94-HB)
Normal Operating Temperature Range	25°C ± 5°C	Recommended Max. Charging - Current Limit	40.2A
Float Charging Voltage	13.6 to 13.8 VDC/unit Average at 25°C	Equalisation & Cycle Service	14.6 to 14.8VDC/unit Average at 25°C
Self Discharge	Century AGM batteries can be stored for more than 6 months at 25°C. Self-discharge rate less than 3% per month at 25°C. Please charge batteries before using.	Note: Warranty void if mounted under bonnet	

Unit: mm **Dimension:** 340 (L) x 173 (W) x 280 (H) x 285 (TH)



Discharge Current VS Discharge Voltage

Final Discharge Voltage V/Cell	1.75V	1.70V	1.60V
Discharge Current	(A) ≤ 0.2C	0.2C < (A) < 1.0C	(A) ≥ 1.0C

Charge the batteries at least once a month every six months, if they are stored at 25°C

Charging Method

Constant Voltage -0.2Cx2h+2.4~2.45V/Cellx24h, Max.Current 0.3CA

ALL MENTIONED VALUES ARE AVERAGE VALUES.

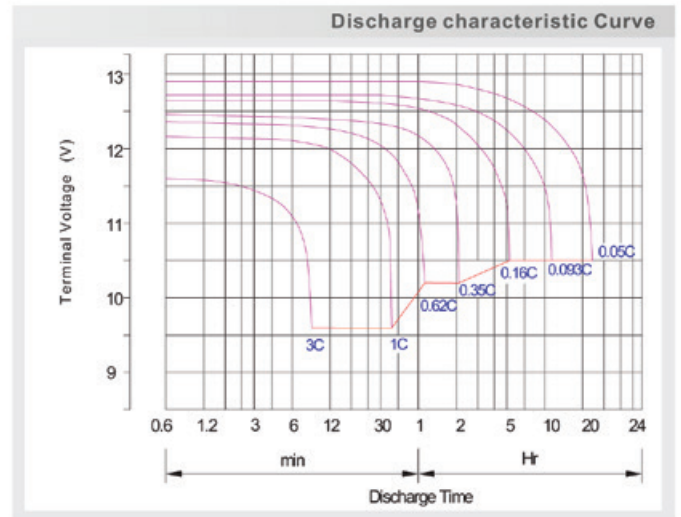
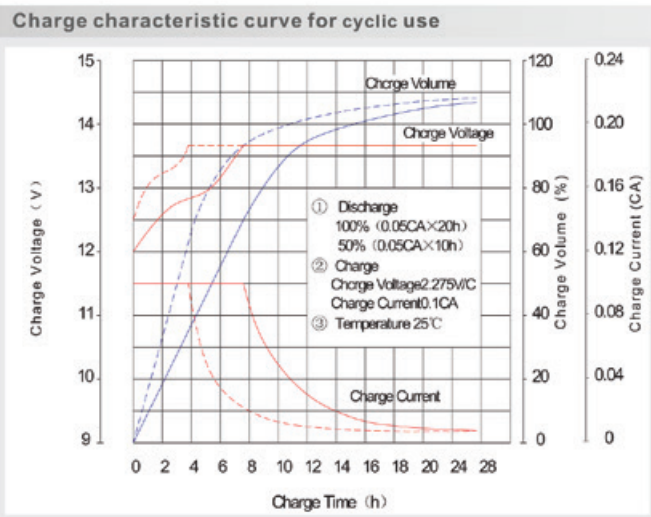
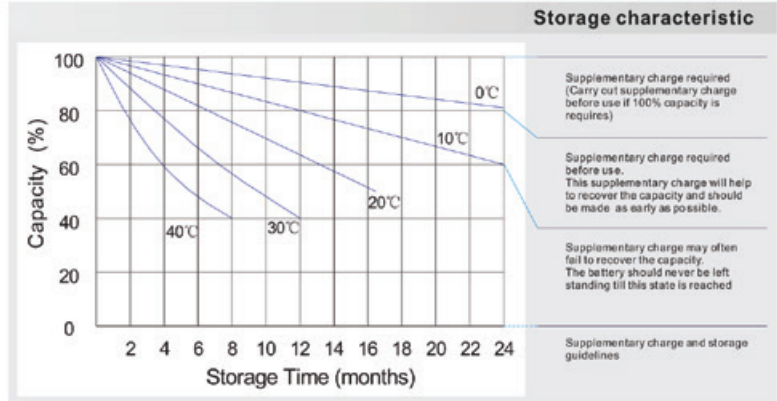
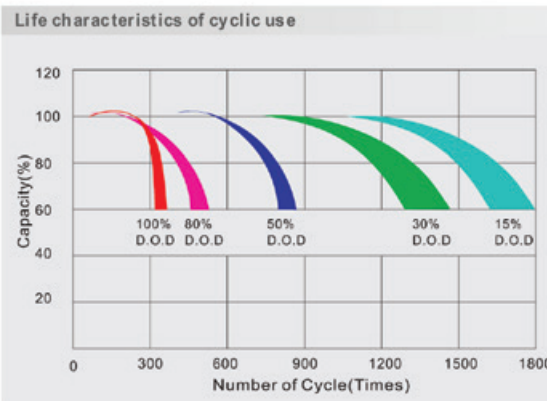
Constant Current Discharge Characteristics: A (25°C)

F.V/Time	5MIN	10MIN	15MIN	30MIN	1HR	2HR	3HR	4HR	5HR	8HR	10HR	20HR
9.60V	461.9	331.0	240.8	147.9	83.62	47.73	33.58	27.79	21.87	15.98	13.51	7.145
10.0V	449.5	314.9	235.9	145.5	83.23	47.38	33.45	27.66	21.74	15.85	13.38	7.015
10.2V	423.6	303.8	232.2	144.2	82.46	47.02	33.19	27.53	21.61	15.72	13.25	6.885
10.5V	380.4	280.3	221.1	140.6	81.69	46.66	33.06	27.27	21.35	15.59	13.12	6.756
10.8V	343.3	255.6	203.8	134.4	79.76	45.82	32.16	26.63	20.97	15.33	12.99	6.626
11.1V	298.9	228.5	182.8	125.9	75.77	43.79	30.74	25.34	20.07	14.68	12.60	6.236

Constant Power Discharge Characteristics: W (25°C)

F.V/Time	5MIN	10MIN	15MIN	30MIN	1HR	2HR	3HR	4HR	5HR	8HR	10HR	20HR
9.60V	4399	3217	2368	1669	956.3	549.1	387.5	321.1	253.2	185.4	151.9	80.25
10.0V	4309	3072	2319	1649	951.7	547.0	386.7	320.3	251.6	184.6	150.4	79.47
10.2V	4068	2970	2288	1629	944.7	541.9	384.4	318.8	250.8	183.1	149.6	78.69
10.5V	3663	2744	2181	1592	935.5	536.9	382.1	316.5	248.5	181.5	148.0	77.91
10.8V	3295	2492	2004	1520	912.3	529.0	372.8	308.0	244.7	177.6	146.5	77.13
11.1V	2844	2213	1790	1424	864.5	504.6	354.3	293.3	232.3	171.4	141.8	74.01

All mentioned values are average values.



Battery Disposal

This battery is 98% recyclable. Help create a cleaner planet, return your used battery to the original place of purchase or your nearest CenturyYuasa approved Battery Recycling Centre.